



TECHNICAL DATE SHEET

JUAL

UNIVERSAL VAPOUR BARRIER PLATE



PRODUCT DESCRIPTION

JUAL Universal Vapour Barrier Plate

APPLICATION:

Used where pipes are led through the vapour barrier. The Vapour Barrier Plate is equipped with an EPDM membrane that will ensure an airtight connection where pipes or other objects penetrate the buildings vapour barrier. The Vapour Barrier Plate can be manually fitted for various pipe sizes.

MATERIALS:

Frame: Aluminium (1,0 mm)

Membrane: EPDM-rubber

Installation and application must be conducted in accordance with current industry standards.

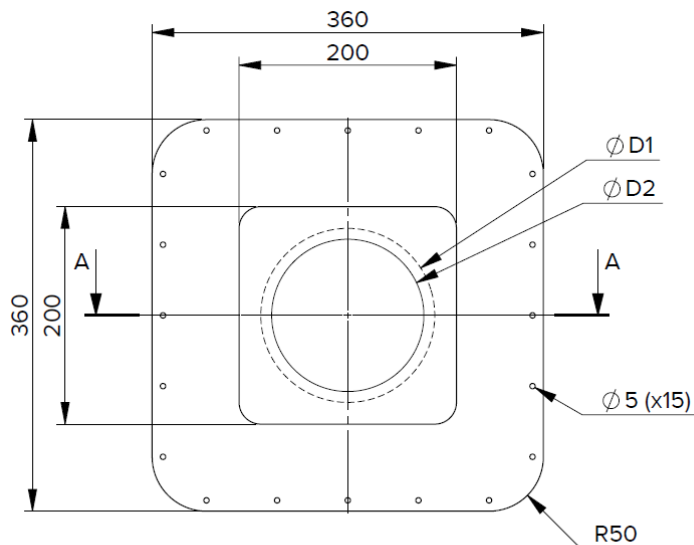
ARTICLE NUMBERS

TYPE:	DIMENSION:	MAX. PIPE SIZE	ARTICLE NUMBER:
JUAL Universal Vapour Barrier Plate	360x360 / 200x200	Ø160	75160UNI



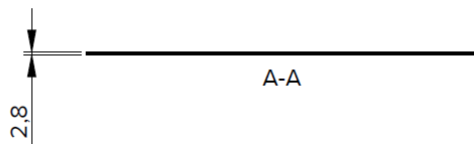
TECHNICAL DATE SHEET

TEKNISK INFORMATION



To ensure an airtight connection it is recommended to make the hole in the membrane approximately 20% smaller than the diameter of the pipe penetrating the vapour barrier.

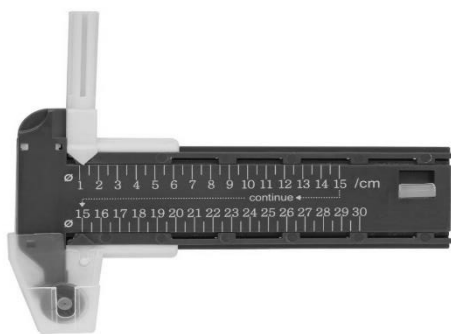
D1 PIPE DIAMETER:	D2 RECOMMENDED HOLE SIZE:
Ø50	Ø40
Ø63	Ø50
Ø75	Ø60
Ø90	Ø70
Ø110	Ø90
Ø125	Ø100
Ø145	Ø120
Ø160	Ø130



ACCESSORIES

CIRCLE CUTTER:

The Circle cutter is simple to use and can easily be configured to the desired hole size (see the table above). Must be ordered on separate article number 230002.



Circle cutter: JUAL-article number 230002

