



TECHNICAL DATA SHEET

JUAL

90° ANGULAR PIPE WITH SOCKET



PRODUCT DESCRIPTION

JUAL 90° Angular pipe with socket

APPLICATION:

For connecting stainless steel pipes in a 90° angle. Eg. as transition between a horizontal roof outlet and a vertical downpipe.

The sockets fit pipes with external diameters $\varnothing 50$, $\varnothing 63$, $\varnothing 75$, $\varnothing 90$, $\varnothing 110$, $\varnothing 125$, $\varnothing 145$ and $\varnothing 160$. The pipe end has the same diameter as the pipe that fits the socket.

The socket connection shall be accessible for inspection.

MATERIAL:

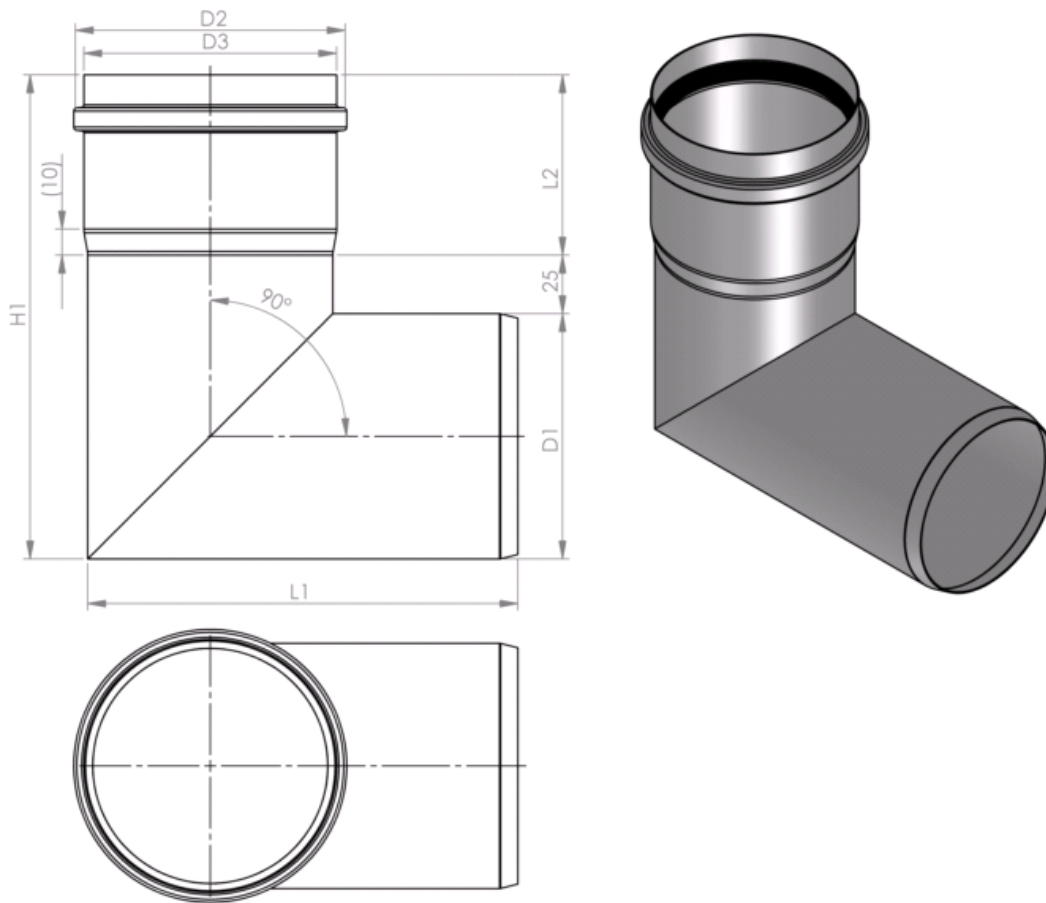
Stainless Steel AISI316 – EN 1.4401

Lip seal in EPDM rubber



TECHNICAL DATA SHEET

TECHNICAL INFORMATION & ARTICLE NUMBERS



ARTICLE NUMBER	D1 Ø	D2 Ø	D3 Ø	L1	L2	H1	KG
4582050-90	50	61,7	53,5	193	80	158	0,27
4582063-90	63	75,2	66,5	193	80	170	0,31
4582075-90	75	87,1	78,5	193	80	182	0,42
4582090-90	90	102,1	93,5	193	80	197	0,50
4582110-90	110	122,1	113,5	193	80	217	0,61
4582125-90	125	138,9	128,5	293	80	233	0,90
4582145-90	145	157,5	148,5	293	80	252	1,10
4582160-90	160	173,2	163,5	293	80	267	1,15