



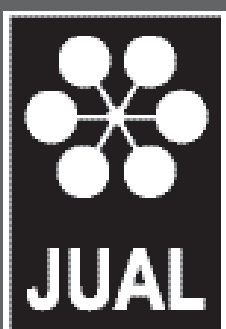
JUAL WHEN THE SUN DOESN'T SHINE



This installation instruction is
made available by JUAL A/S

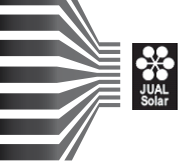


INSTALLATION GUIDELINE

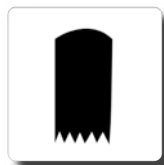


JUAL ROOF CONSOLE

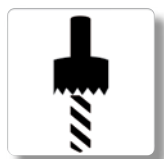
(Warm roof - trapez steel deck)



Symbol description



Ø40 mm hole cutter



Ø25 mm hole saw



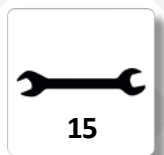
Drill driver with a 19 mm socket



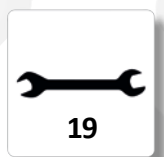
Grinder with a cutting disc.



Deburring tool



15 mm wrench



19 mm wrench



Position spear



Gas torch



Manual handling



Pay attention!

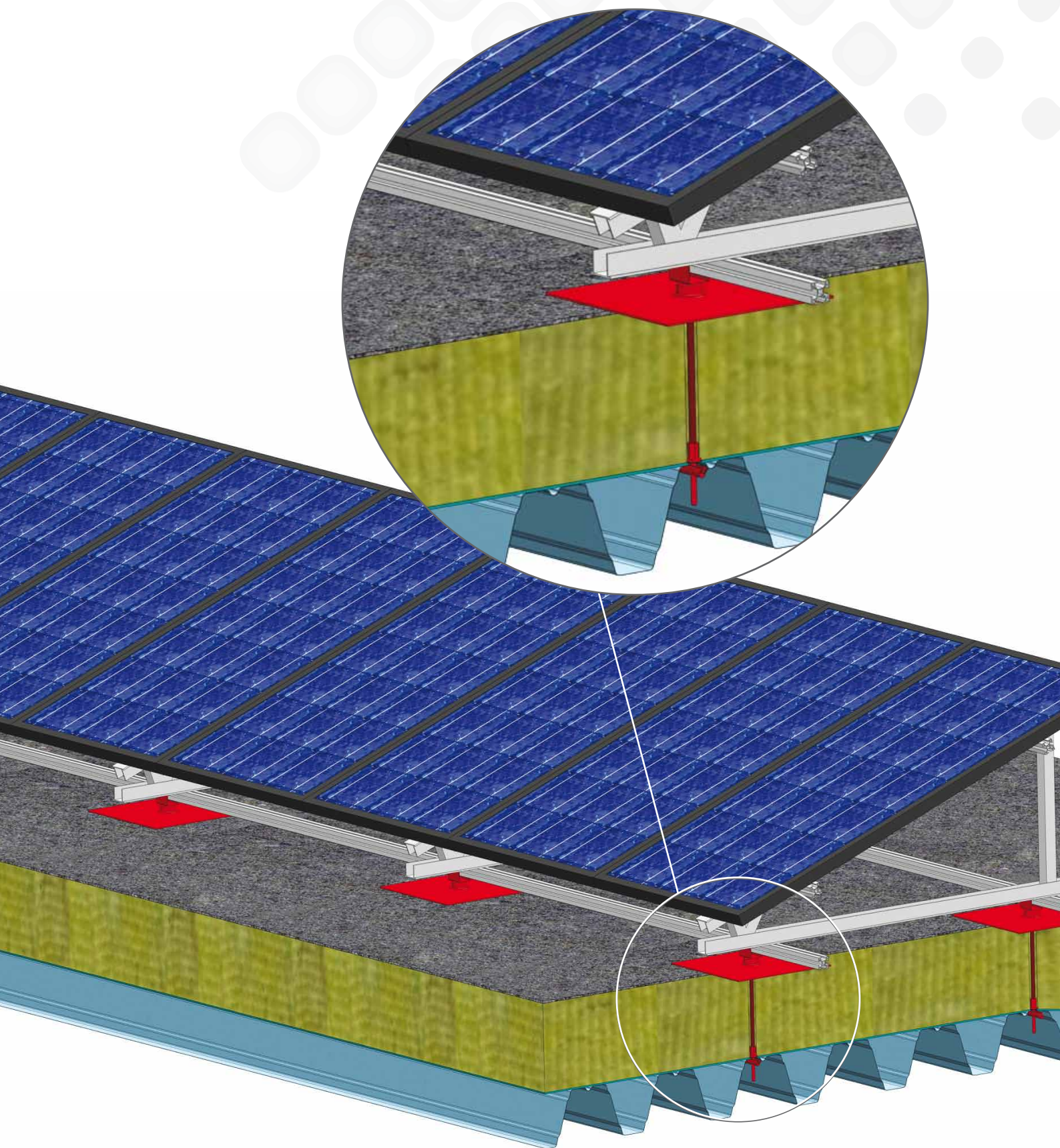


Loosening operation
(anti clock wise rotation)

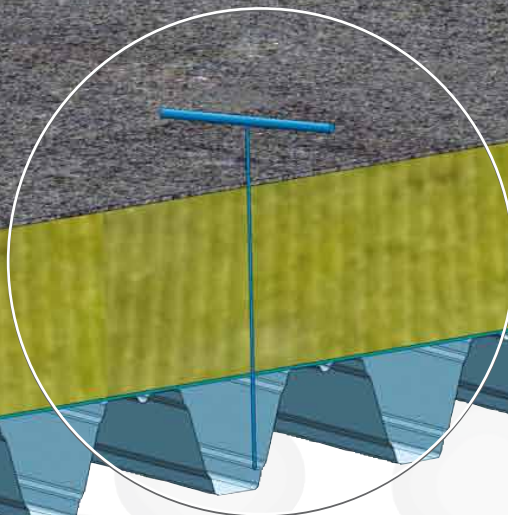
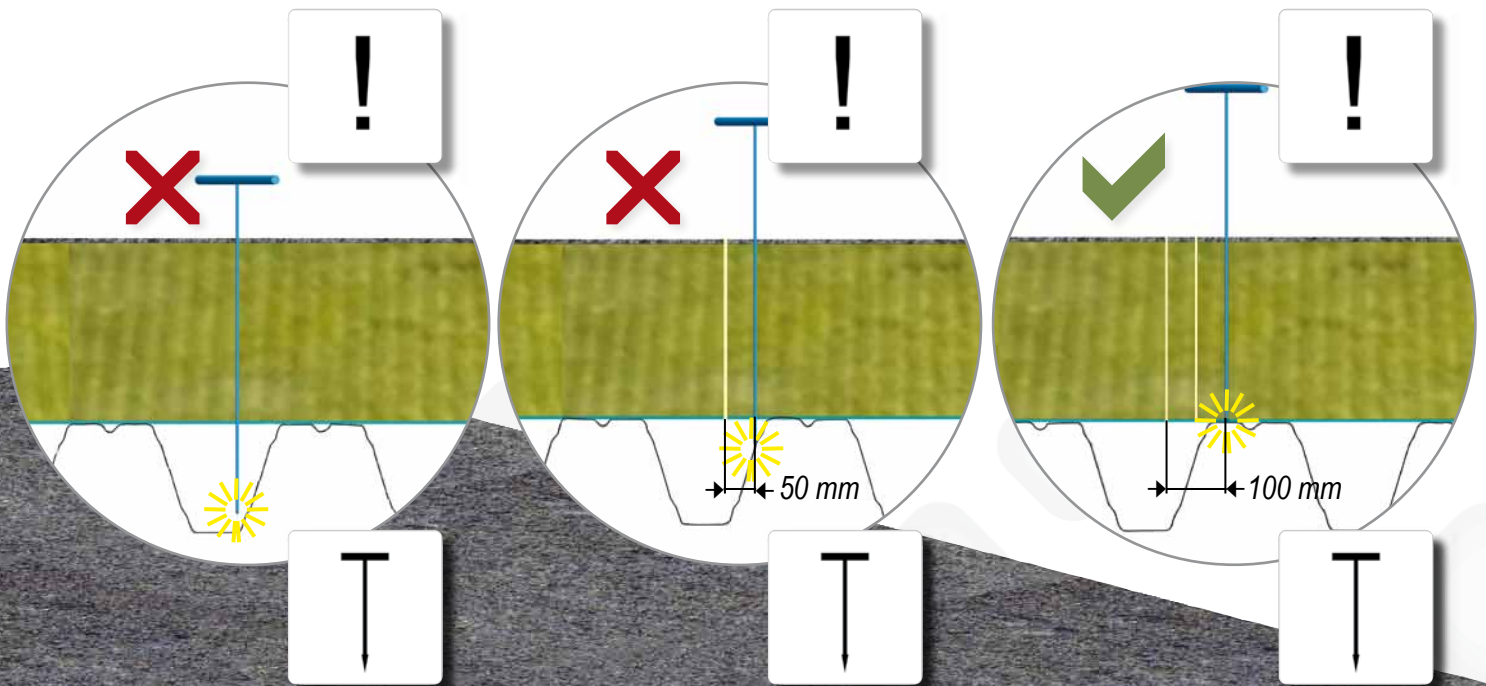


Tightening operation
(clock wise rotation)

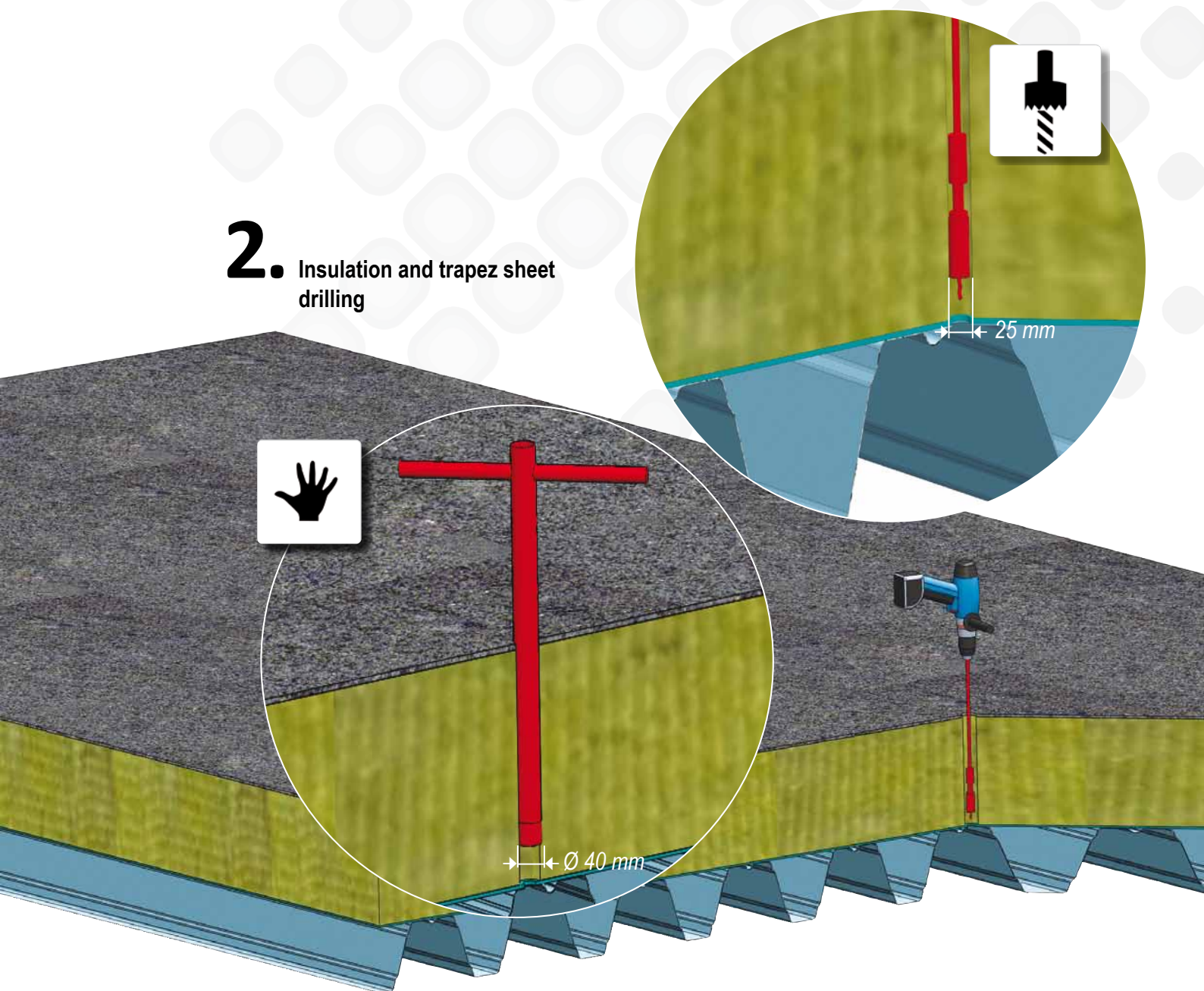
Roof Console Trapez



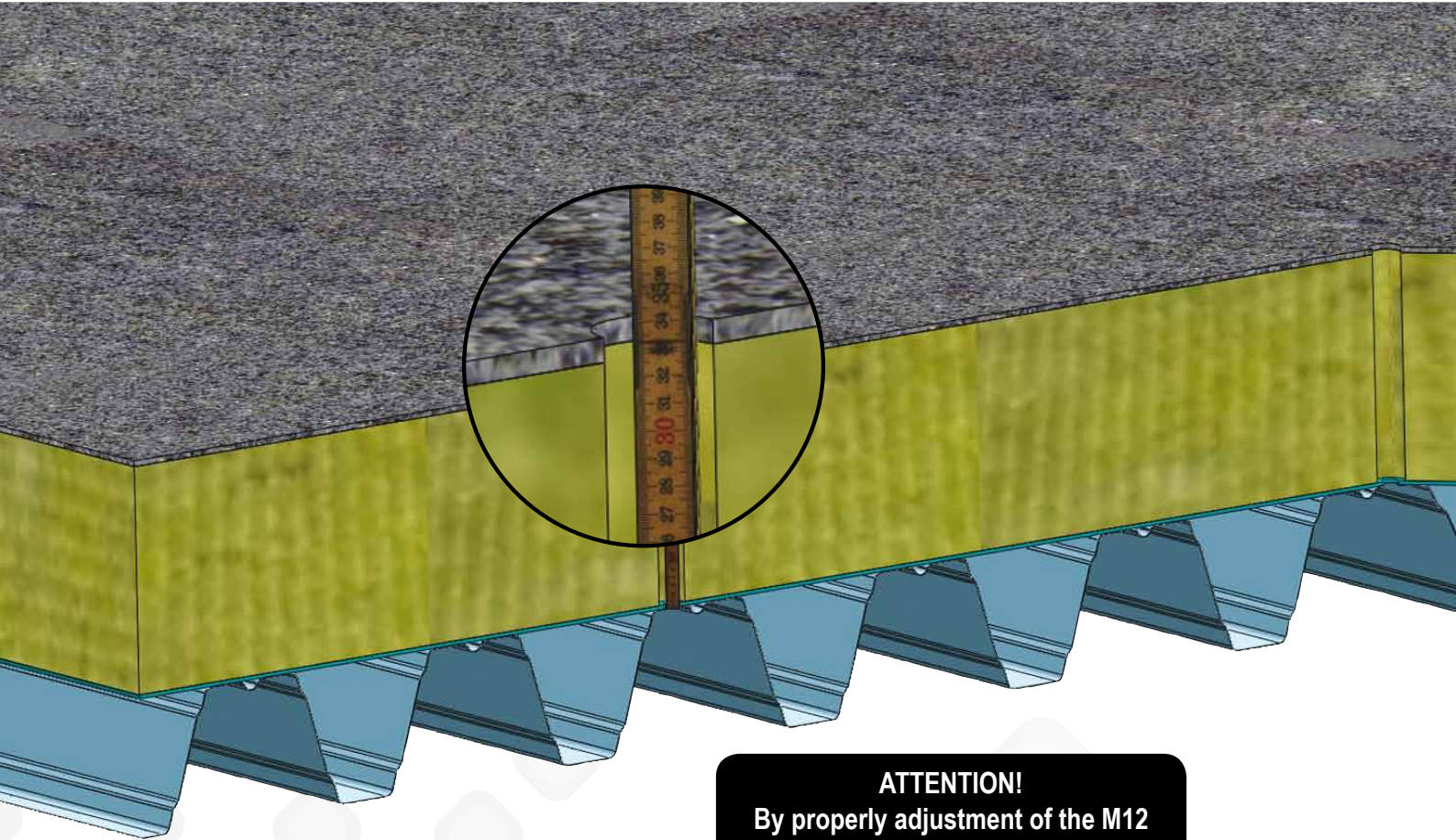
1. Console positioning



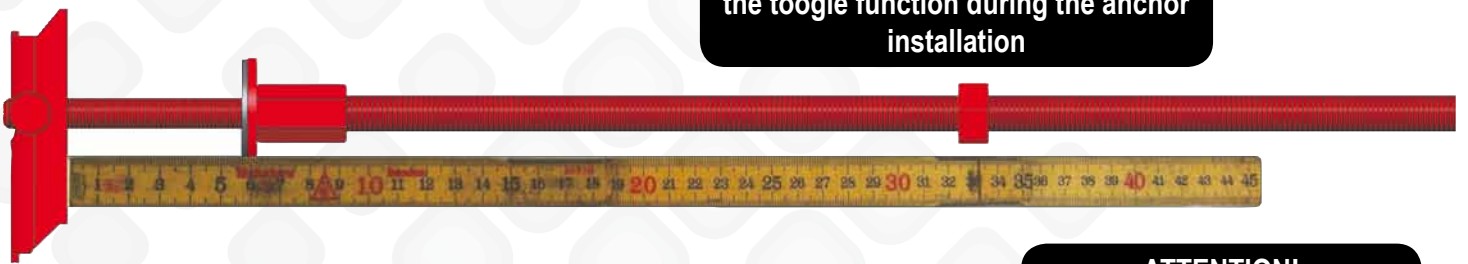
2. Insulation and trapez sheet drilling



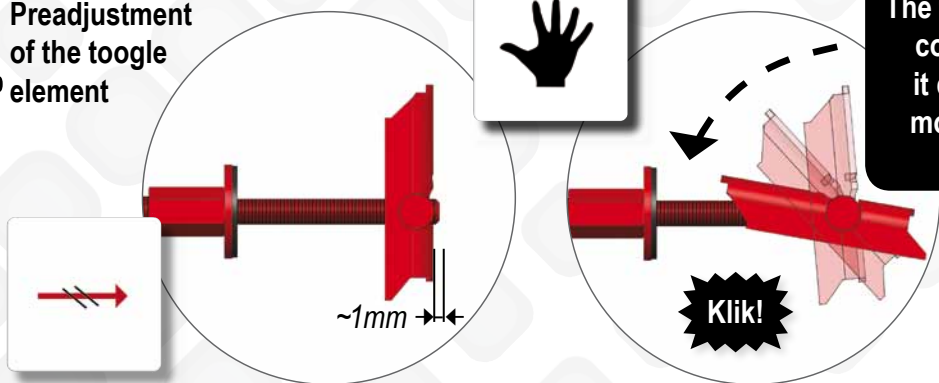
3. Anchor preadjustment



ATTENTION!
By properly adjustment of the M12 nut according to the specific insulation thickness it is possible to check the toggle function during the anchor installation



4. Preadjustment of the toggle element

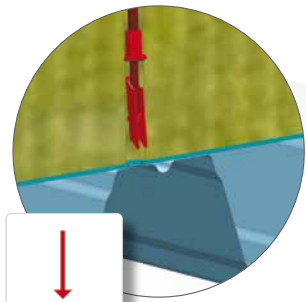


ATTENTION!
The toggle element has been correctly adjusted when it can be clicked into the mounting position with a slight push.

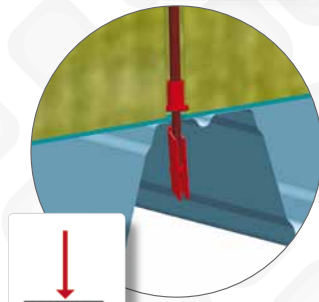
5. Anchor installation



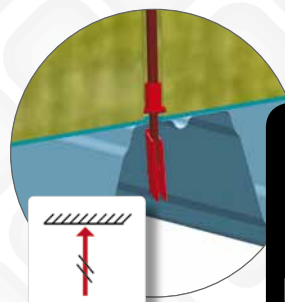
Installation procedure



1.

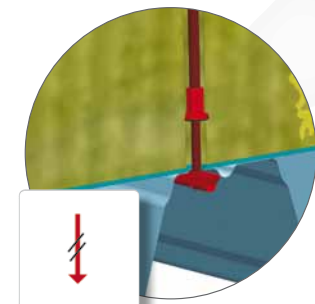


2.

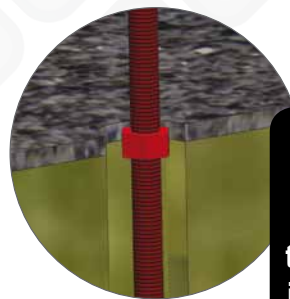


3.

Step 3.
Turn the threaded rod counter clockwise ~ 1 round and subsequently pull the anchor upwards until the toggle element reaches it's final position.

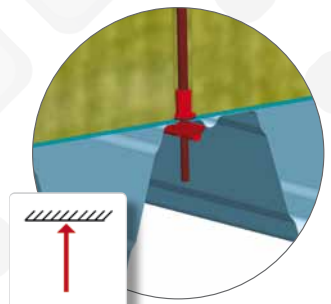


4.

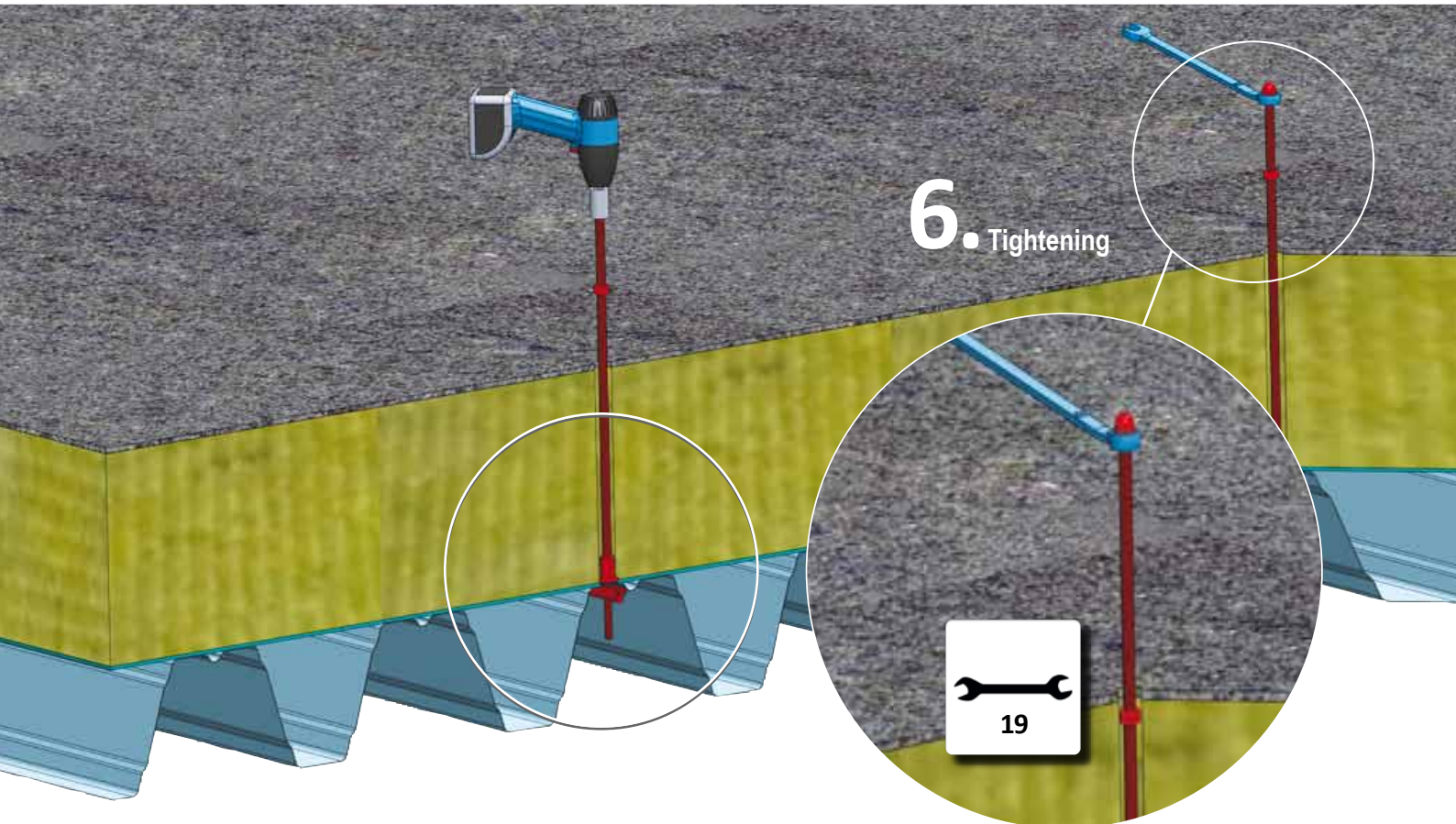


5.

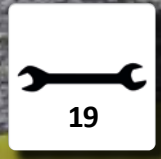
Step 5.
When the anchor has been pulled upwards the anchors toggle function is checked by inspecting the position of the preadjusted M12 nut.



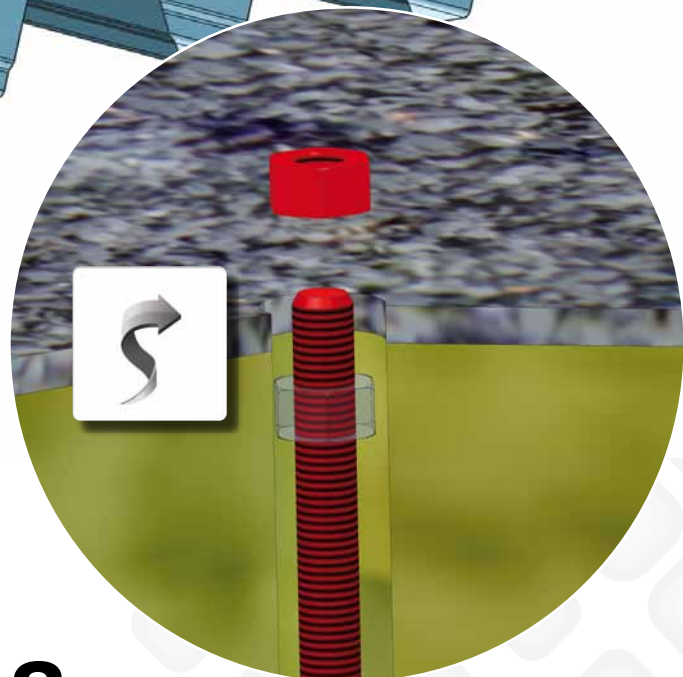
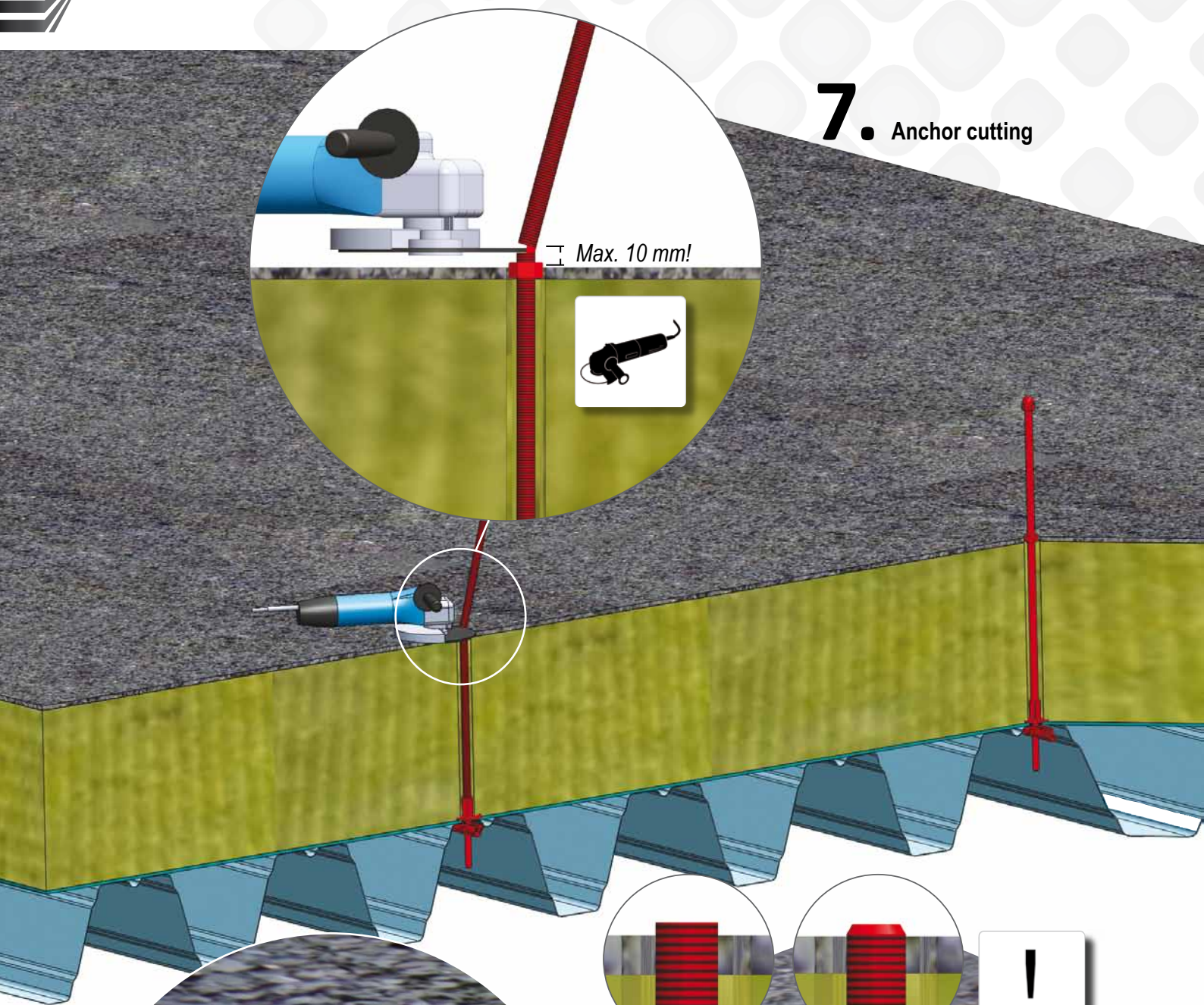
6.



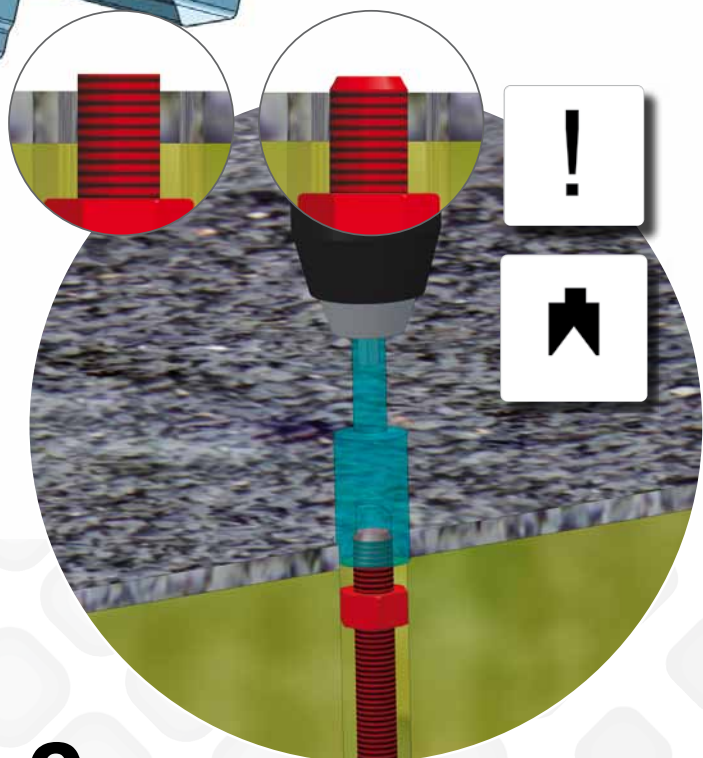
6. Tightening



7. Anchor cutting



8. Nut removal



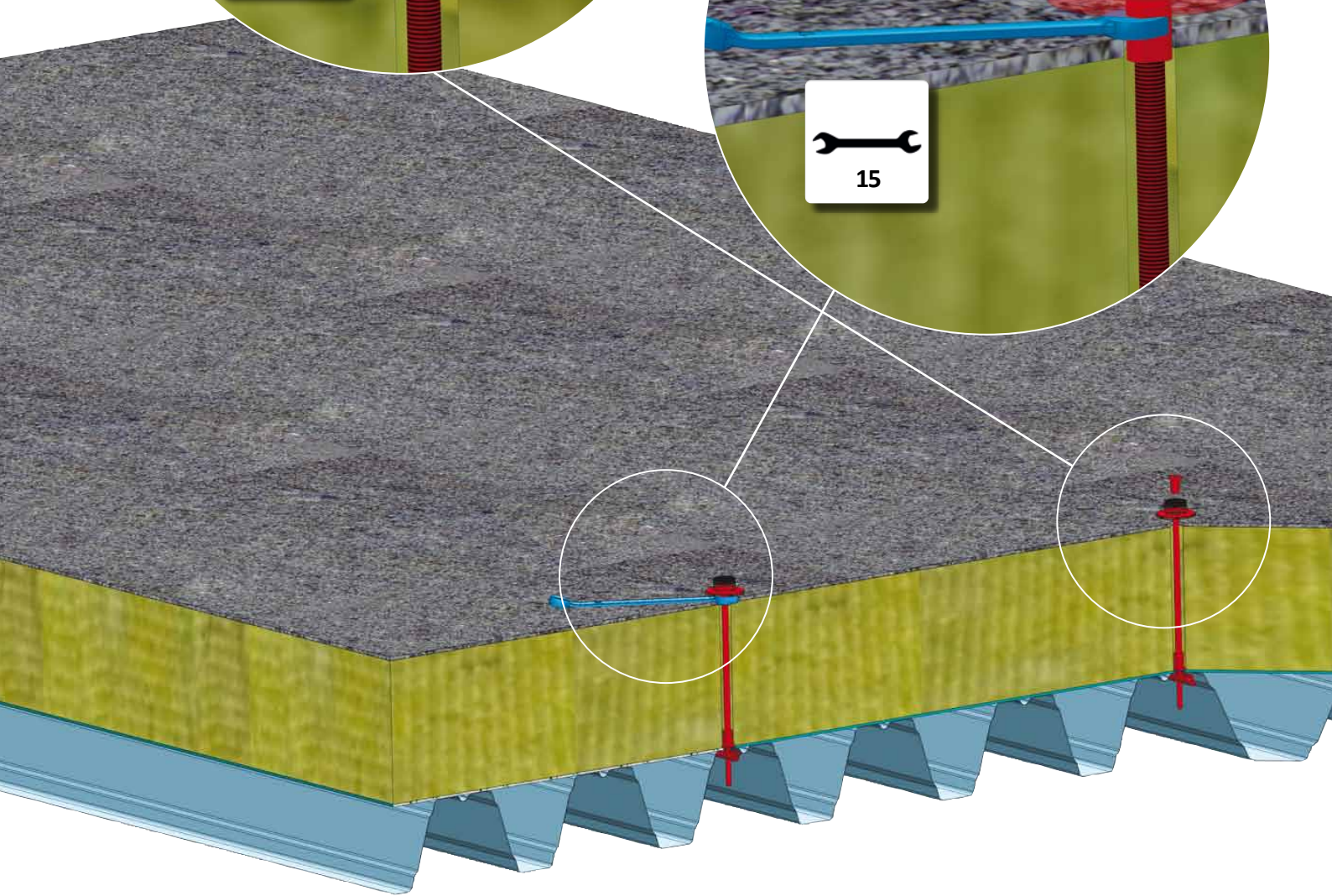
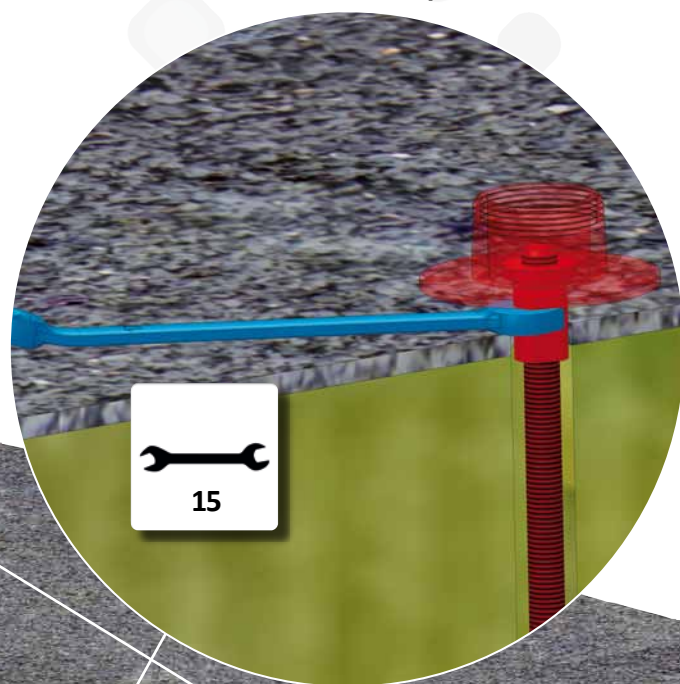
9. Thread deburring



10. Console Adapter and Console Nut installation



11. Constraining of the Console Adapter

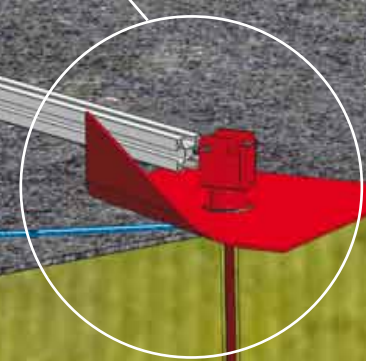
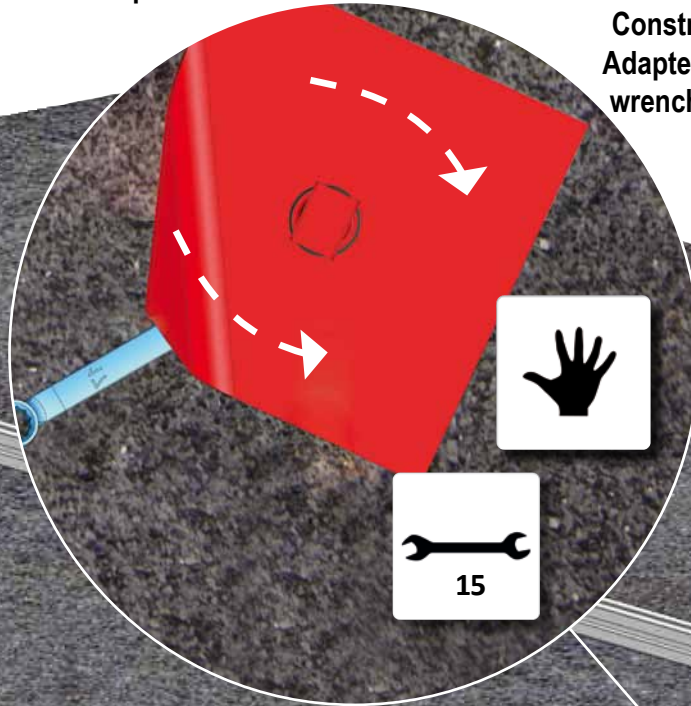


12.

Fixation of the Console to the Console Adapter



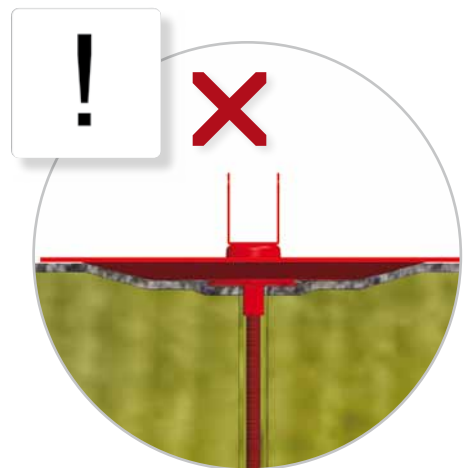
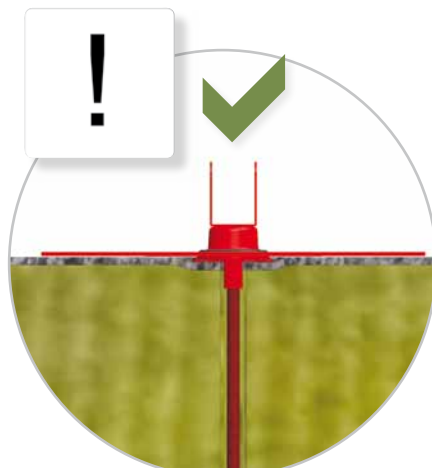
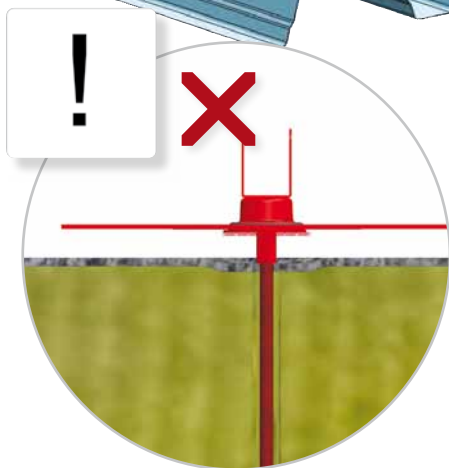
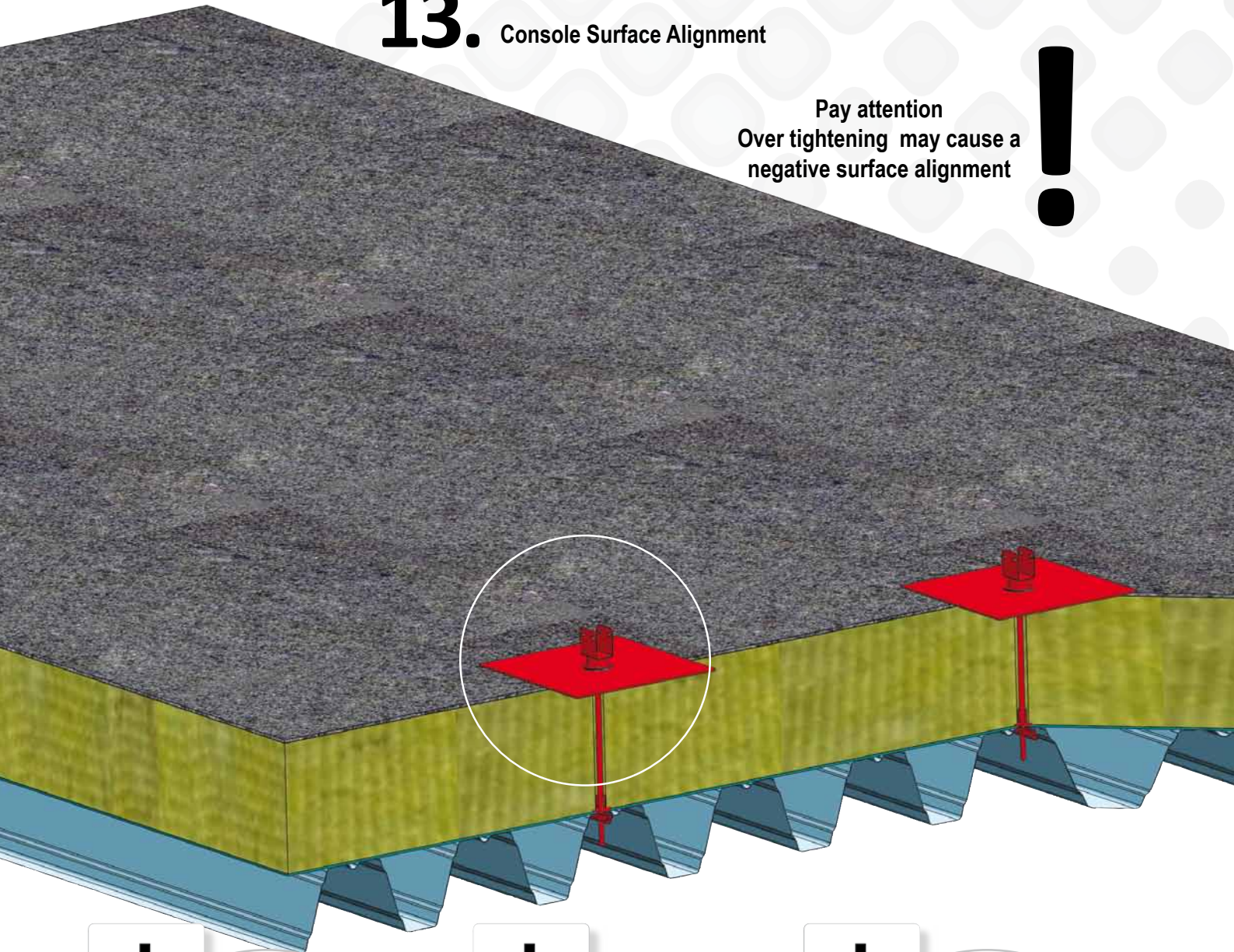
PAY ATTENTION!
Constrain the Console Adapter by the engaged wrench while tightening



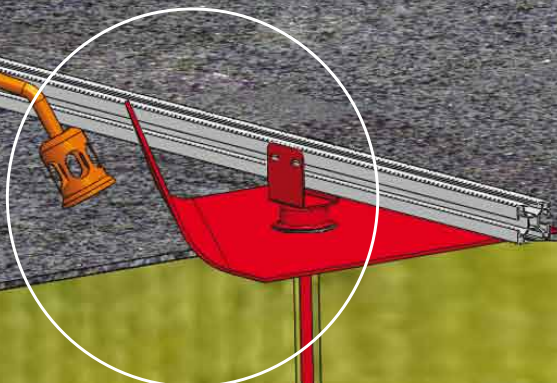
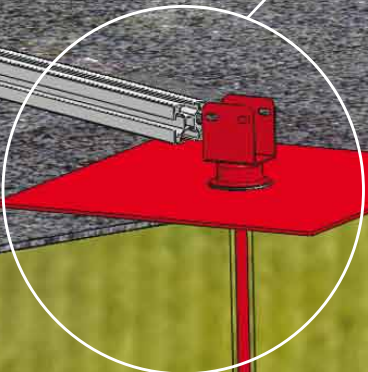
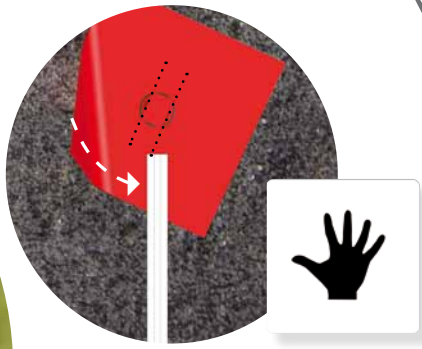
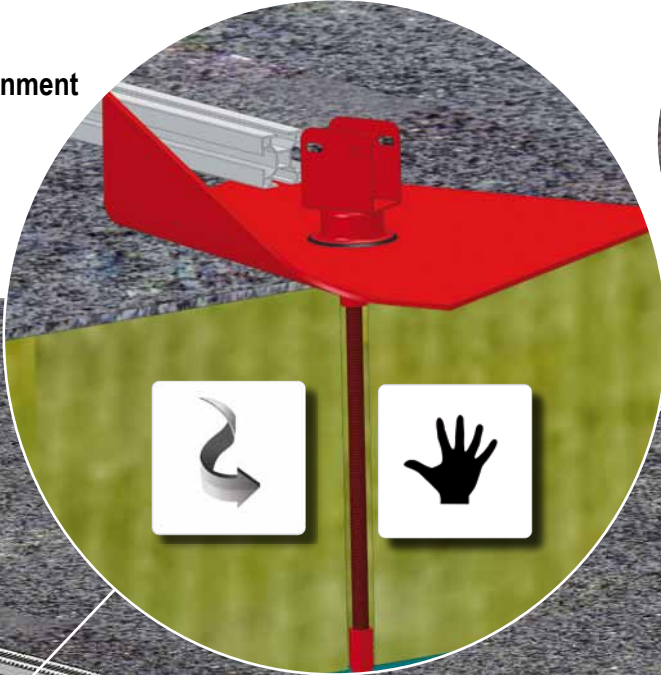
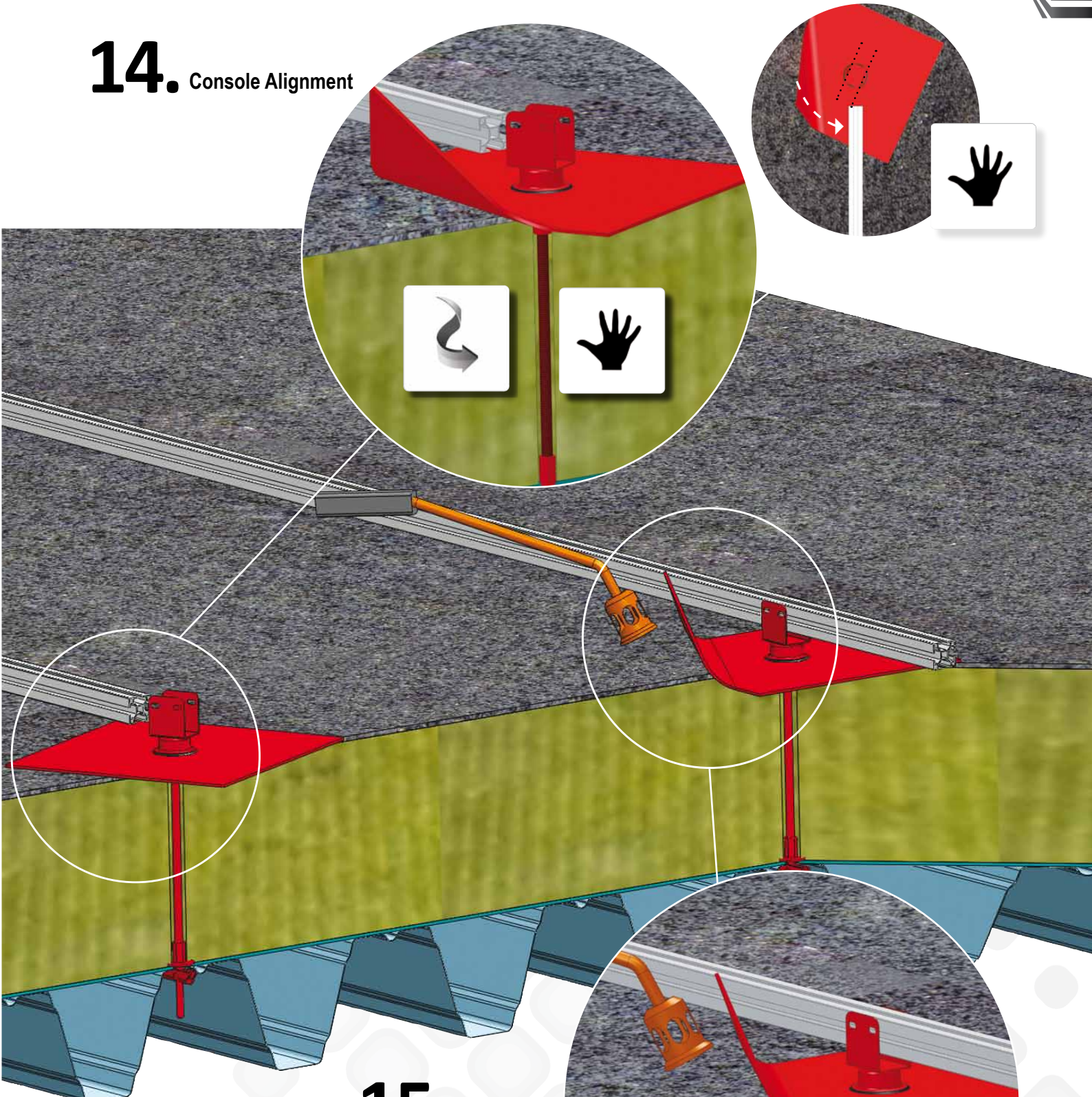


13. Console Surface Alignment

Pay attention
Over tightening may cause a
negative surface alignment



14. Console Alignment



15. Torching



This installation instruction is made available by JUAL A/S