



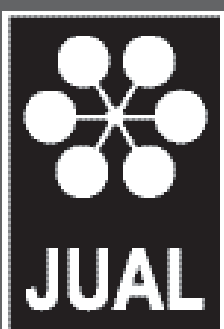
# JUAL WHEN THE SUN DOESN'T SHINE



This installation instruction is  
made available by JUAL A/S

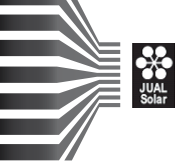


## INSTALLATION GUIDELINE



# JUAL ROOF CONSOLE

(Cold roof - Board Based Surface)



# Symbol description



Drill Driver with a  $\varnothing 17$  socket



Manual handling



Torch



Pay attention!



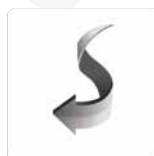
Socket wrench with  
at 17 mm socket



Loosening operation  
(anti clock wise rotation)



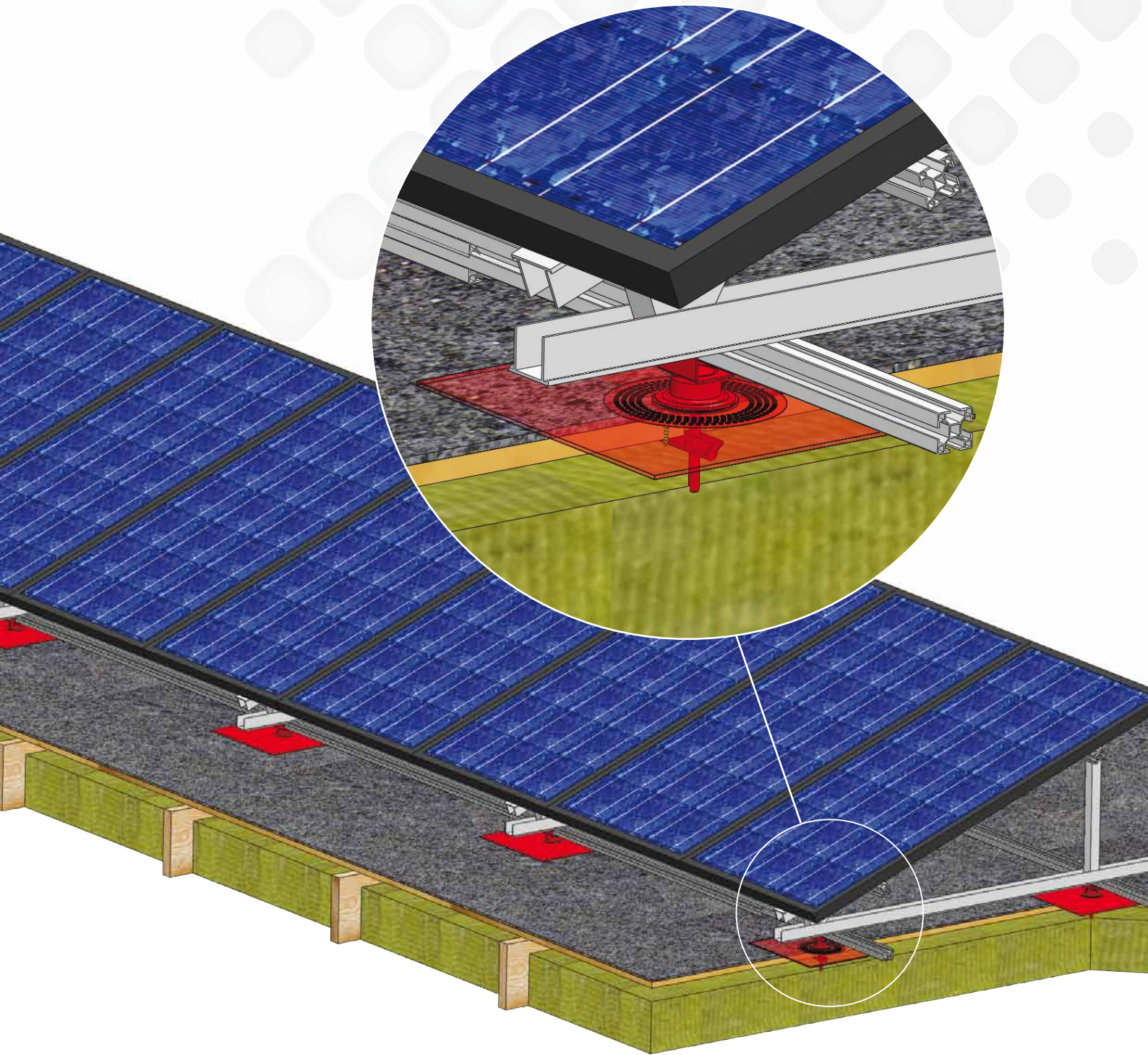
$\varnothing 25$  mm hole saw



Tightening operation  
(clock wise rotation)



# JUAL Roof Console cold roof

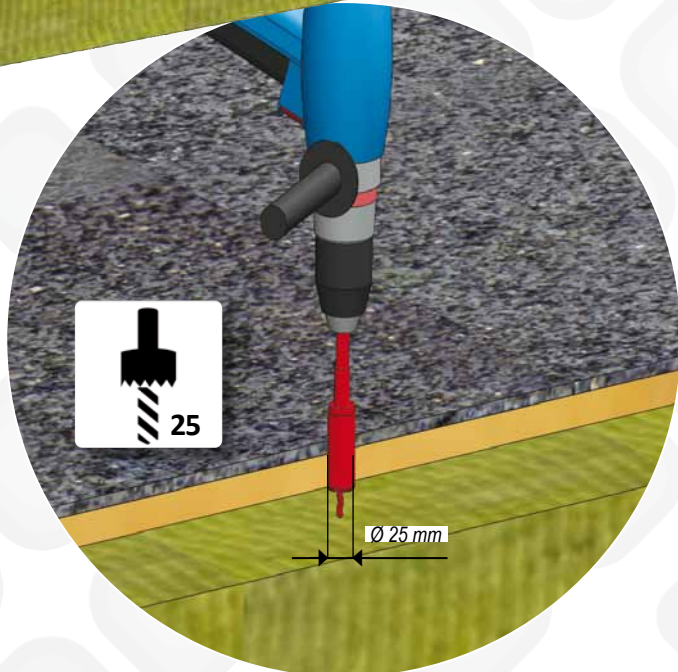




# 1. Surface board drilling

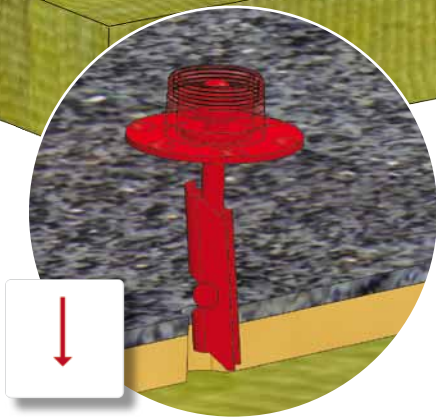
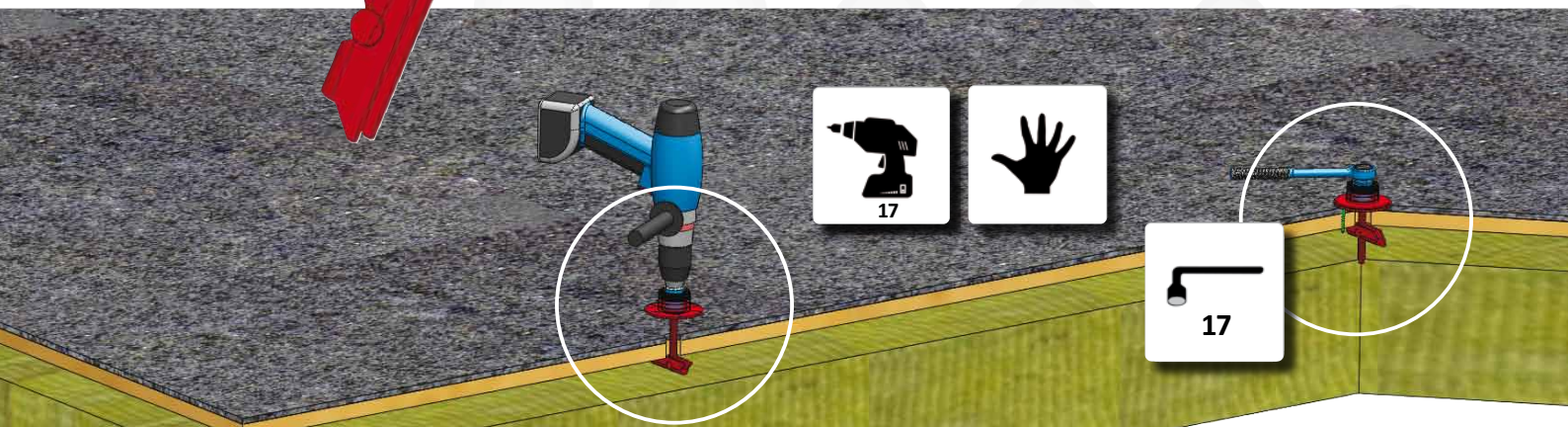
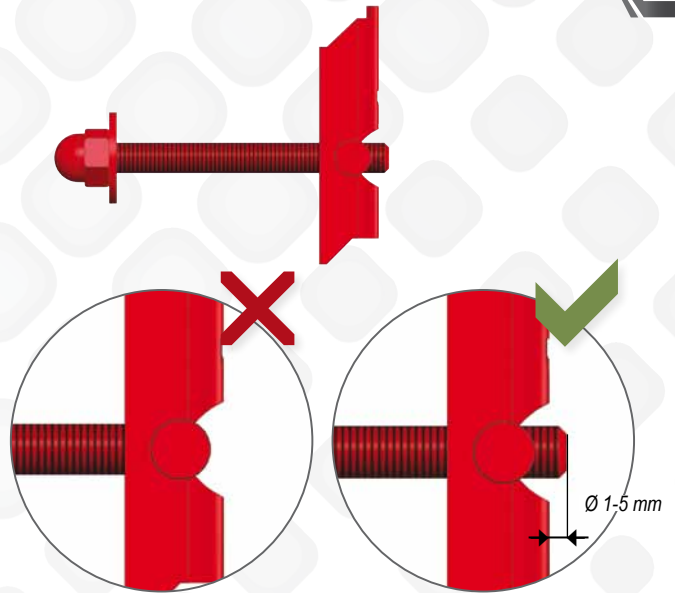


Pay attention!  
The Hole Saw must be capable of sawing into the roofing membrane which may contain small pebbles.

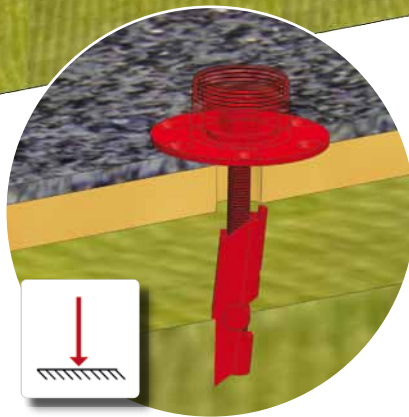




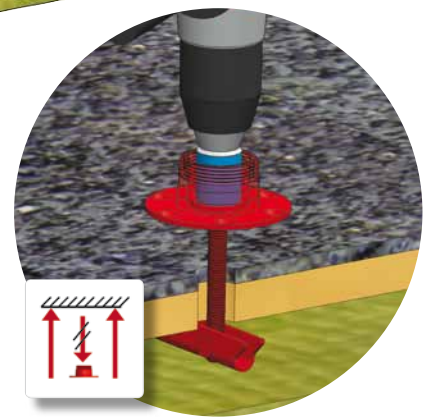
## 2. Anchor / Adapter preassembly



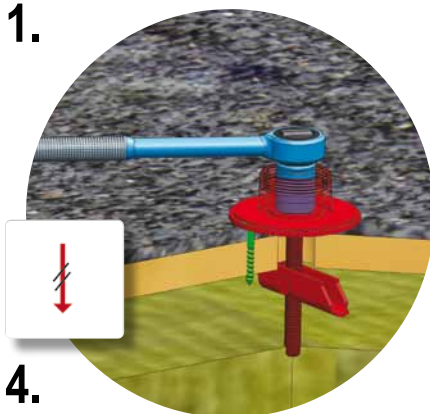
1.



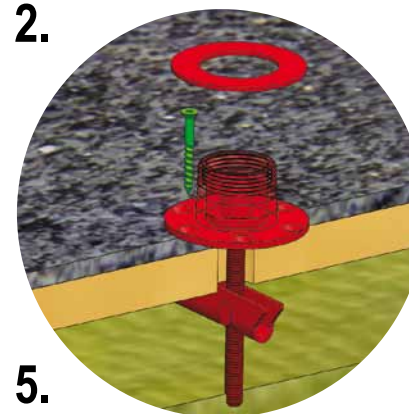
2.



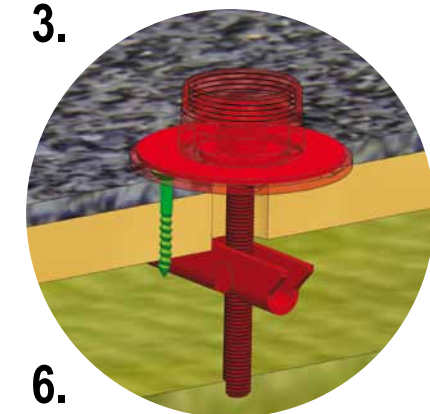
3.



4.



5.

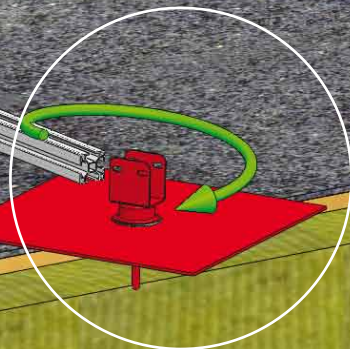
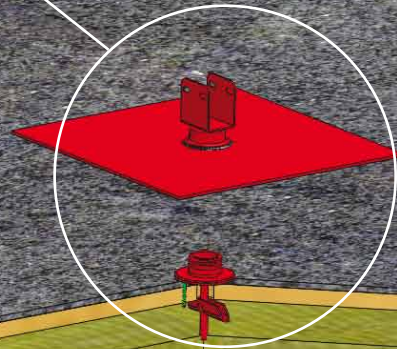
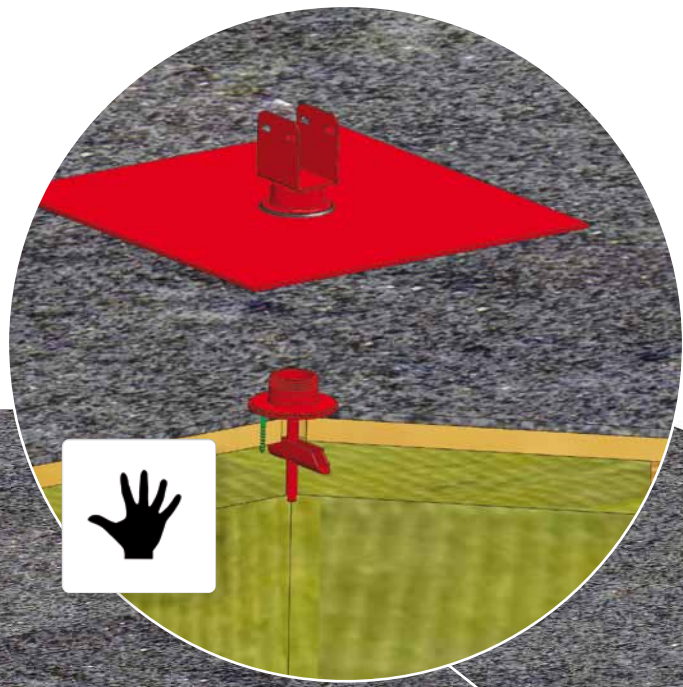


6.

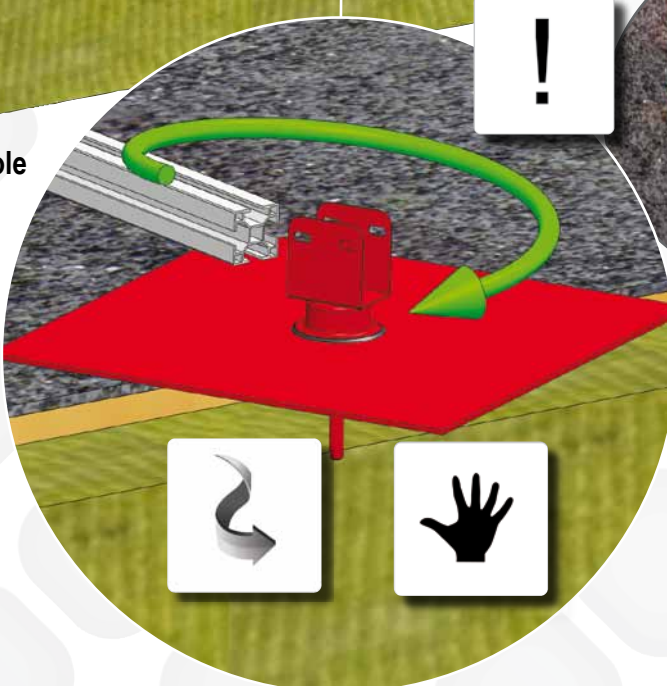


# 3.

## Fixation of the Console with the Compression Ring



# 4. Roof Console Tightening

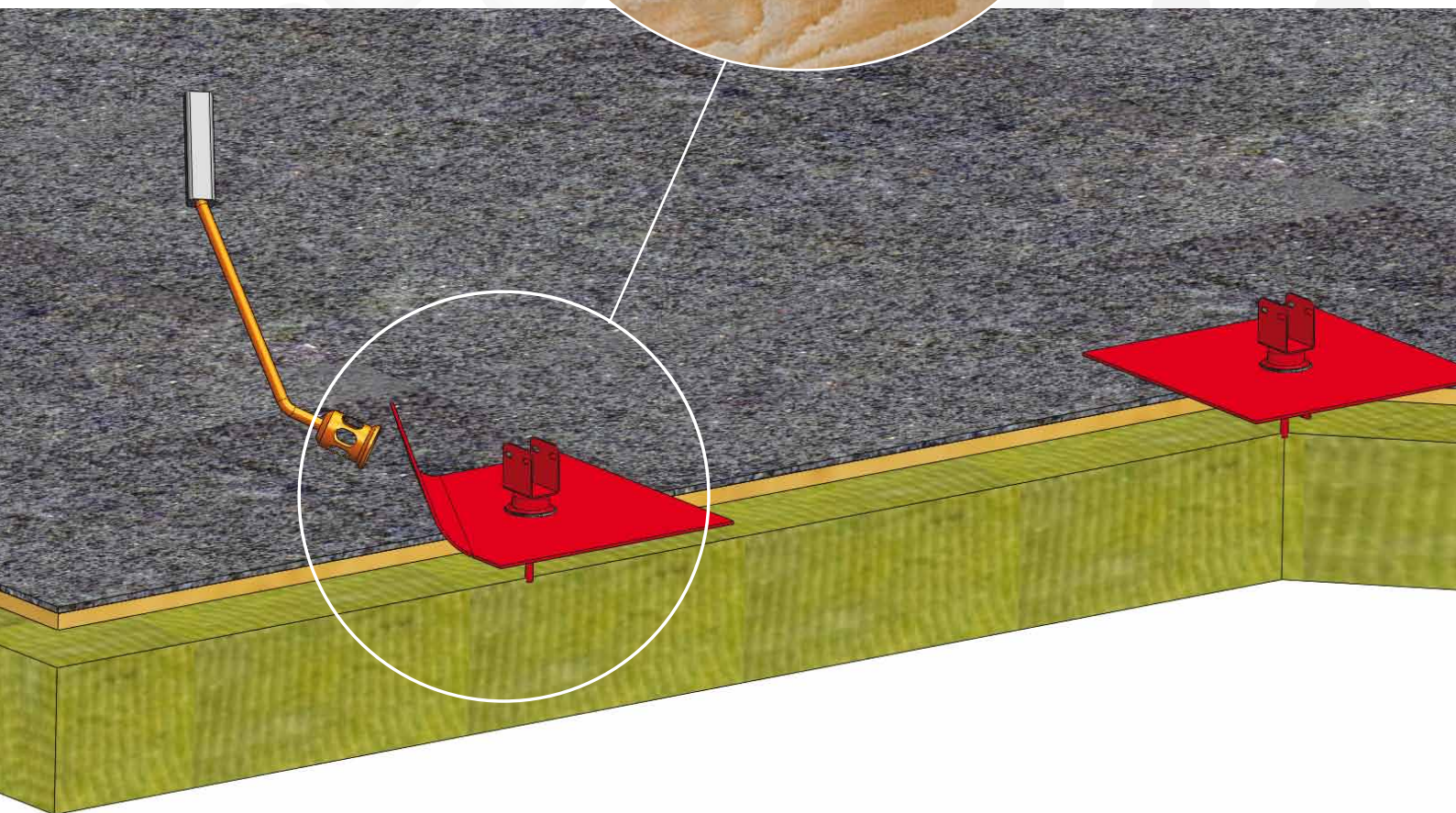


**Pay Attention!**  
The Connection Interface must be correctly aligned.





# 5. Torching



This installation instruction is made available by JUAL A/S