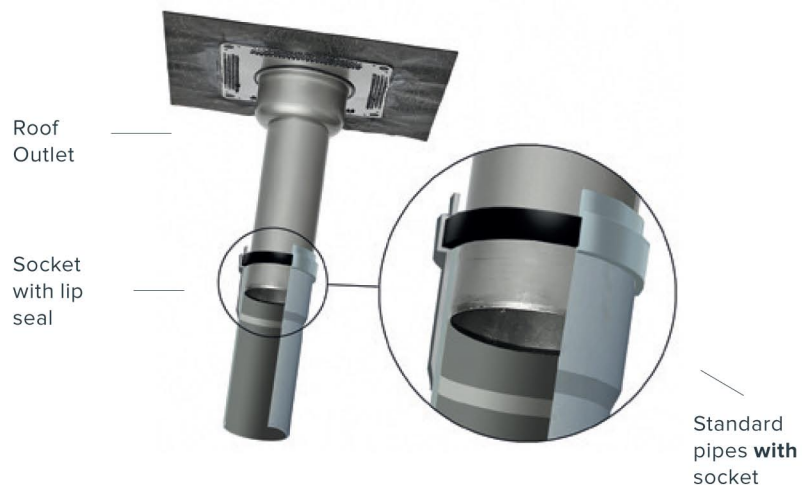


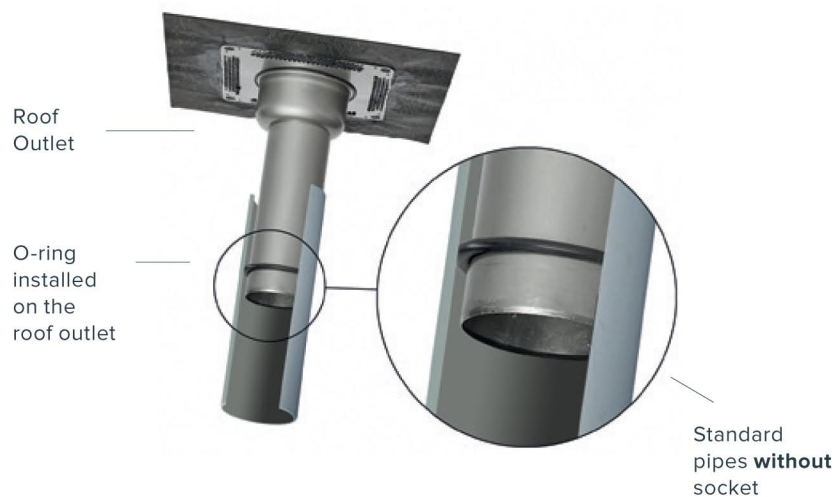
JUAL SPECIFICATION FOR SOCKET AND INSERTION TYPE ROOF OUTLET



ROOF OUTLET
INSTALLED IN
STANDARD PIPE
WITH SOCKET



ROOF OUTLET
INSTALLED WITH
O-RING IN
STANDARD PIPE
WITHOUT SOCKET



ROOF OUTLET
INSTALLED WITH
BACK PRESSURE
SEALING
WITHOUT SOCKET

