



TECHNICAL DATA SHEET

JUAL

ROOF OUTLET



PRODUCT DESCRIPTION

JUAL Roof Outlet

APPLICATIONS:

For vertical drainage of flat roofs with bitumen or foil membrane.

MATERIALS:

Fully welded pipe and assembly ring in acid proof stainless steel AISI 316 / EN 1.4401.

Flange in stainless steel AISI 304 / EN 1.4301 for bitumen membrane or foil coated steel flange for foil membrane.

Membranes in SBS or APP bitumen as well as various foil types are integrated from the factory.

Installation and application must be conducted in accordance with current industry standards and compatibility with the roof's membrane must be secured.



TÜVRheinland®
Precisely Right.

This product is tested and certified according to EN 1253.

ARTICLE NUMBERS

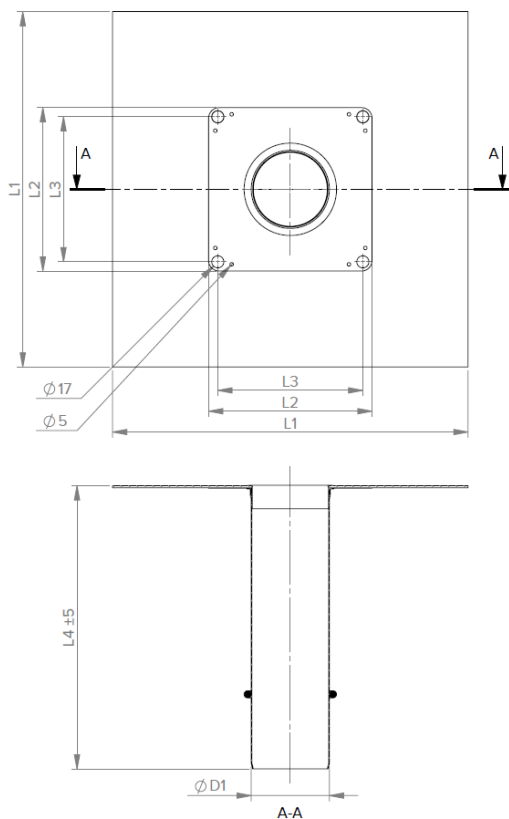
TYPE:	250 MM PIPE	400 MM PIPE	600 MM PIPE	1000 MM PIPE	MEMBRANE:
JUAL Roof Outlet Ø50	60050-250-xxx	60050-400-xxx	60050-600-xxx	60050-1000-xxx	"xxx" is the membrane code Ex.: SBS = 101 APP = 114 Foil = 201, 202, etc. No membrane/ steel flange = 190
JUAL Roof Outlet Ø63	60063-250-xxx	60063-400-xxx	60063-600-xxx	60063-1000-xxx	
JUAL Roof Outlet Ø75	60075-250-xxx	60075-400-xxx	60075-600-xxx	60075-1000-xxx	
JUAL Roof Outlet Ø90	60090-250-xxx	60090-400-xxx	60090-600-xxx	60090-1000-xxx	
JUAL Roof Outlet Ø110	60110-250-xxx	60110-400-xxx	60110-600-xxx	60110-1000-xxx	
JUAL Roof Outlet Ø125	60125-250-xxx	60125-400-xxx	60125-600-xxx	60125-1000-xxx	
JUAL Roof Outlet Ø145	60145-250-xxx	60145-400-xxx	60145-600-xxx	60145-1000-xxx	
JUAL Roof Outlet Ø160	60160-250-xxx	60160-400-xxx	60160-600-xxx	60160-1000-xxx	

Complete list of membranes is found on www.jual.dk



TECHNICAL DATA SHEET

TECHNICAL INFORMATION



D1	L1		L2			L3			L4
	Bitumen	Foil	Bitumen	Foil	Steel flange	Bitumen	Foil	Steel flange	
Ø50	500	330 – 400*	230	230	300	204	200	270	250
Ø63									400
Ø75									600
Ø90									1000
Ø110			300	360	270	330	330	330	
Ø125									250
Ø145									400
Ø160	600								

* Depending on the foil type

Standard pipe lengths are 250, 400, 600 and 1000 mm. In case other lengths are required, extension pipes are recommended. See separate data sheet. As an alternative, pipes can be supplied in adapted lengths.

ACCESSORIES

HEATING CABLE

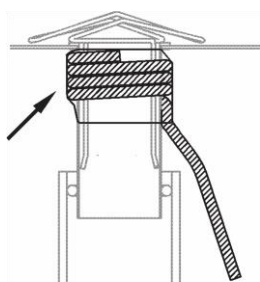
JUAL Roof Outlets can be supplied with 230V heating cable. See separate data sheet for heating cable at www.jual.dk

LEAF GRATE

JUAL recommend installation of leaf grates which must be checked/cleaned at appropriate intervals. Drainage capacity depends upon the chosen leaf grate. Leaf grates are to be ordered separately.

Drainage capacities for roof outlets and leaf grates are found on separate data sheets at www.jual.dk

Can be supplied with 230 V heating cable



EXT. DIA.	APPLICATION (OUTLET DIA)
Ø50	Ø50 socket / Ø63 insertion*
Ø63	Ø75 insertion*
Ø75	Ø75 socket / Ø90 insertion*
Ø90	Ø90 socket / Ø110 insertion*
Ø110	Ø110 socket / Ø125 insertion*
Ø125	Ø125 socket / Ø145 insertion*
Ø145	Ø160 insertion*
Ø160	Ø160 socket

*Insertion into standard pipes without socket.

O-ring in EPDM rubber is included for each outlet and shall be used.

APPROVALS

The roof outlet is approved and certified according to EN 1253 and EN 1124, which specifies requirements for construction and function, and manufactured in accordance with DIN 18200, which specifies requirements for serial production.

LGA Certificate no.: 572(year)060 – to be found at www.jual.dk.